



Longxiang Group Ltd.

FERNO is one of the world's leading medical technology companies with the most broadly based range of products in patient-handling and emergency medical equipment and mortuary equipment.

LONGXIANG start to cooperate with FERNO since 2005, make mold and plastic parts for FERNO USA, FERNO Slovakia, Ferno Australia.





Longxiang Group Ltd.

Longxiang have offered over 200 plastic injection molds, include pusher, cross handle, handle mount, handle roller, legs, scuff strip, clip, cover hinge, control paddle, end cap, battery tray, battery hood, battery cover, linkage fork, and so on.

All parts are necessary for medical equipment.

 **FERNO** 59-T EZ 楼梯担架椅



 **FERNO** 35X 上车担架 (Stair stretcher)





Longxiang Group Ltd.

FERNO 35X 上车担架



2018-03-28



Longxiang Group Ltd.

FERNO 59-T EZ 楼梯担架椅



2018-03-28



Longxiang Group Ltd.

ferno26P型自动上车担架



2018-03-28



Longxiang Group Ltd.



2018-03-28



Longxiang Group Ltd.



2018-03-28



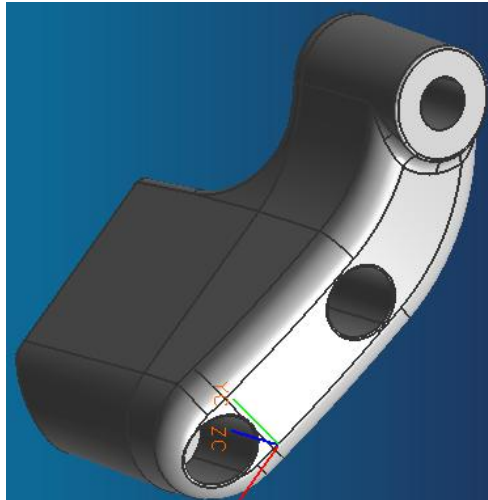
Longxiang Group Ltd.



2018-03-28



Longxiang Group Ltd.



2018-03-28



Longxiang Group Ltd.



2018-03-28



Longxiang Group Ltd.



2018-03-28



Longxiang Group Ltd.



2018-03-28



Longxiang Group Ltd.

Why Choose Longxiang as Your Medical Device Mold Partner?

1. Longxiang have nearly 20 years mold manufacturer experiences
2. Longxiang have made over 200 sets mold for medical device
3. Longxiang is good at control, measure, adjust for precision connector.
4. Longxiang has standard developing procedure to reduce mold risk.